



PRODUCT TECHNICAL DATA SHEET

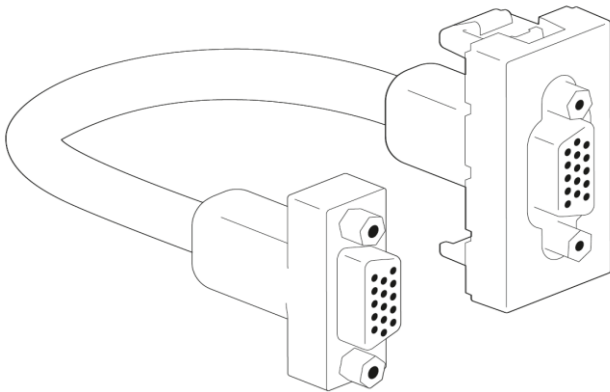
Myrius™

Ref . No. : 679268 / 679469

PROJECTOR CONNECTOR 1M

Date : 05-03-2020

Rev.1



1. USE

To connect PROJECTOR CONNECTOR devices in modular manner.

2.Type

PROJECTOR CONNECTOR 1M

No. of modules : 1

Colour : White / Charcoal Grey

Mounting : Flush box and Surface box -mounted

3.OVERALL DIMENSIONS

Width : 45 mm

Height : 45 mm

Weight (g) : 87

4.CONNECTION

Pre terminated - Equipped with 15 cm cord.

Terminal : Plug in connectors with screw

5.OPERATION

Connect Projector and computer etc. devices plug in and ready to use with hassle free wiring

6.TECHNICAL CHARACTERISTICS

6.1 Material Characteristics

Top plate : Polycarbonate